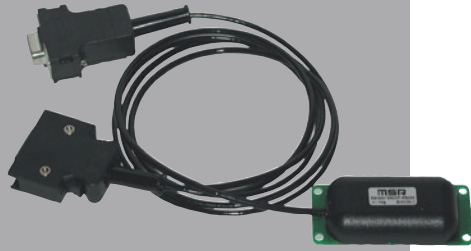


Accelerometer 3ACCF

The 3ACCF sensor measures acceleration in the X, Y and Z axes. The sensors are contained in a housing that is linked to the MSR 12 via cable. The sensor housing can best be fixed using the four mounting holes.

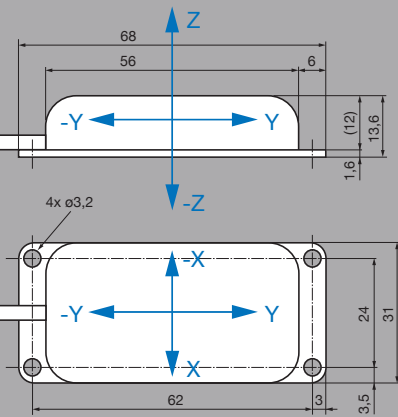


3ACCF-RS232 2g

Sensor type:	ADXL202AE
Measured parameters:	Acceleration (3 axis)
Measurement range:	±2 G
Resolution:	0.001 G
Accuracy:	0.02 G (25°C)
Item number:	B10137

3ACCF-RS232 10g

Sensor type:	ADXL210AE
Measured parameters:	Acceleration (3 axis)
Measurement range:	±10 G
Resolution:	0.01 G
Accuracy:	0.1 G (25°C)
Item number:	B10132



General

Medium:	Air
Dimensions:	See drawing
Cable length:	2 m
Weight exc. cable:	Approx. 15 G
Electrical connections:	Plug for MSR 12 RS232 socket
Power supply:	Via MSR 12
Material:	
Sensor housing:	Epoxy, ABS
Operating conditions:	
Temperature:	-20 °C to +70 °C
Humidity:	0-95 % relative humidity, non-condensing
Storage conditions:	
Temperature:	-20 °C to +70 °C
Humidity:	0-95 % relative humidity, non-condensing
Special feature:	Calibration coefficients stored in EEPROM

Required additional module: 3ACCF (Item number B10103)

MSR Electronics GmbH
Oberwilerstrasse 16
CH-8444 Henggart
Switzerland

Tel. +41 52 316 25 55
Fax +41 52 316 35 21
info@msr.ch
www.msr.ch

Distributor:

Interworld Electronics Inc.
145 Tyee Drive
Point Roberts, WA 98281
1-877-902-2979
sales@interworldna.com

Interworld Electronics &
Computer Industries Inc.
2454 Haywood Ave
West Vancouver, B.C.
V7V 1Y1
Vancouver Office:
Tel: 800-663-6001
Markham Office:
Tel: 800-465-0164
sales@interworld.ca