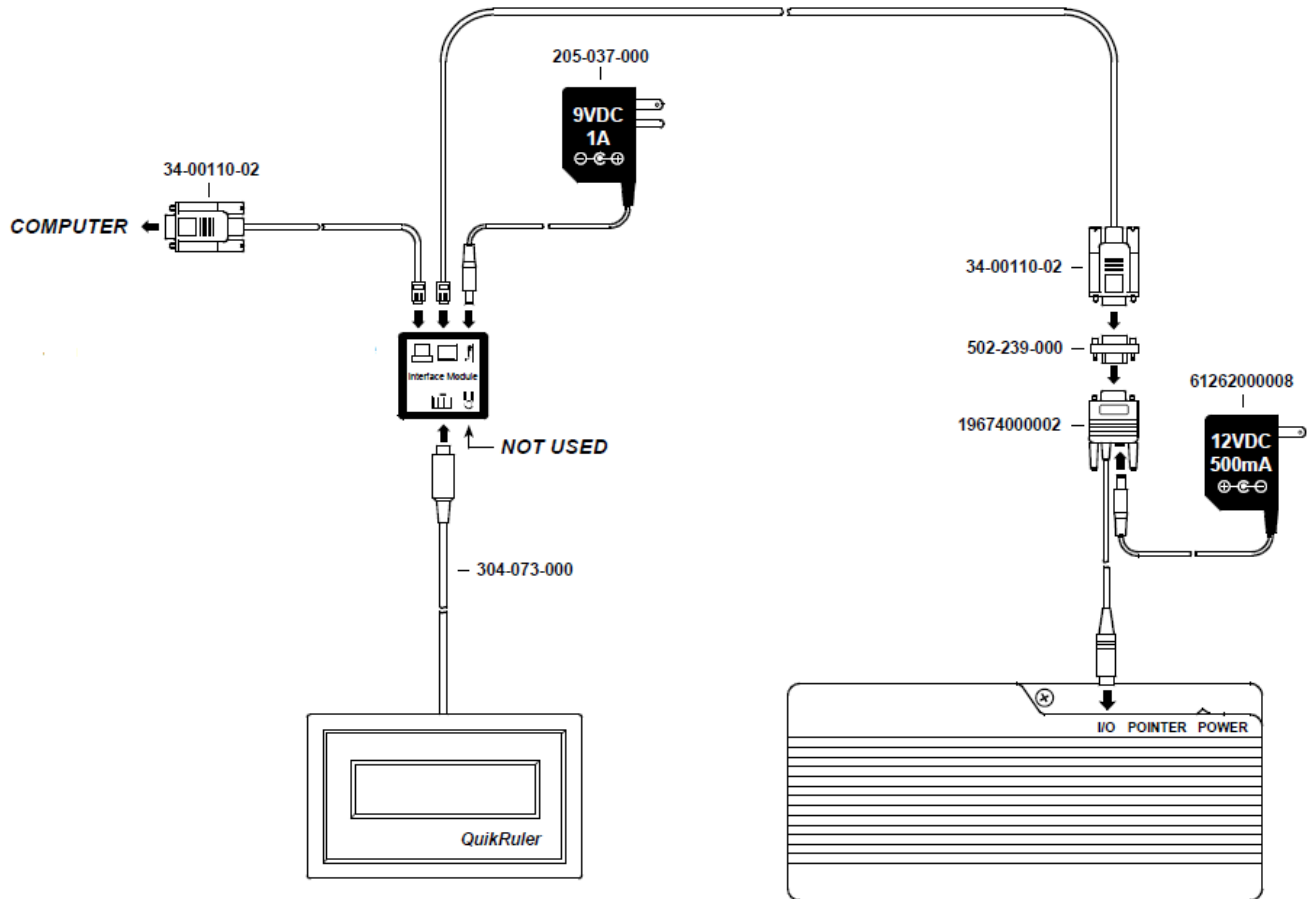


QUIKRULER™ INSTALLATION WITH SUPER L III™



NOTE: Attach the Interface Module to the digitizer in a convenient location, using the Velcro strips provided.