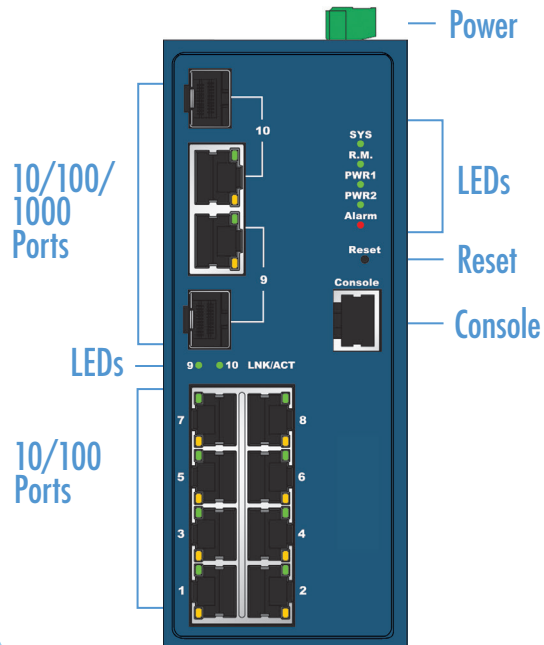
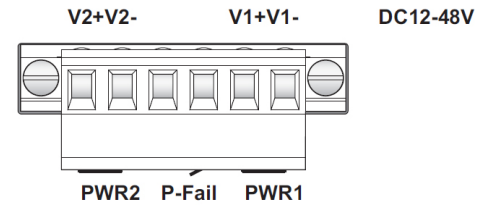
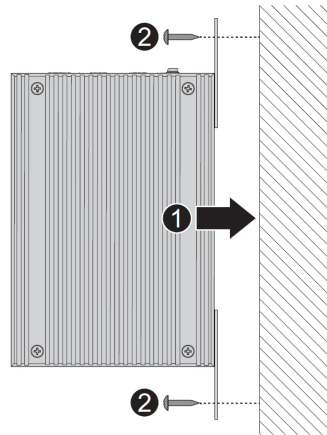
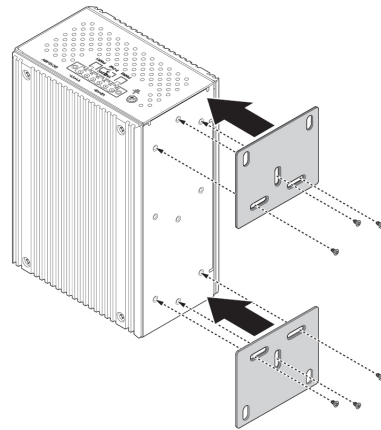


Product Overview



Wall Mounting

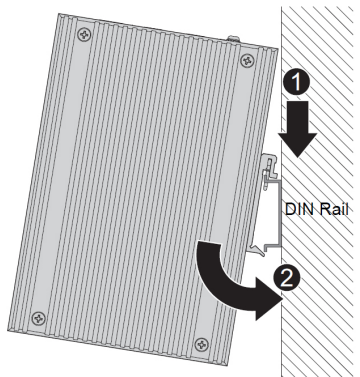


Wire Gauge: 12-24 AWG (3.31 - 0.205 mm2).
Torque: 7lb-in.

NOTE: P-Fail Relay is closed if both power input ports are powered. The default is open.

1 Hardware Installation

DIN Rail Mounting



2 Terminal Blocks

Terminal	Description
V2-	Power Input 2 (DC Ground)
V2+	Power Input 2 (12 to 48VDC)
P-Fail	Power Fault Relay
P-Fail	Power Fault Relay
V1-	Power Input 1 (DC Ground)
V1+	Power Input 1 (12 to 48VDC)

3 LED Status

LED	Status	Description
SYS	Green	Normal operation
	Off	System down or initializing operation
R.M.	Green	Active when determining Ring Master
PWR1	Green	Power Applied
	Off	No Power
PWR2	Green	Power Applied
	Off	No Power
Alarm	Red	Power is applied to one input but not both inputs
	Off	No Power or Power is applied to both inputs
LNK	Solid	Link established
	Blinking	Data present
	Off	Not connected to Network
SPD	Green	1000M speed
	Amber	100M speed
	Off	10M speed

Default Settings

IP Address: 192.168.1.1
Subnet mask: 255.255.255.0
Default gateway: 192.168.1.254
Username: admin
Password: admin

Troubleshooting

If no LEDs light, verify that the power supply connections are solid and that power is present on the output of the power supply.

Use the LED table to verify that power is present, a link is established, data is being transmitted, and to verify port speed.

If data does not pass and cable connections have been verified, contact your Network Administrator to validate that the network connection is good.

The user manual can be found in the documentation and download section of the product web page.

- First, go to www.advantech-bb.com.
- Second, search for the model number.
- Finally, go to the documentation/download section of that product page to download files.

Recommended Accessories and Power Supplies

Power Supply
MDR-40-24



Ethernet Cables
C5UMB3FBG



Fast, Easy Answers

Scan this QR code
to access product
documentation.



ADVANTECH

B+B
SMARTWORX

1-888-948-2248 | Europe: +353 91 792444

www.advantech-bb.com

707 Dayton Road | PO Box 1040 | Ottawa, IL 61350
Phone: 815-433-5100 | Fax: 815-433-5109
www.advantech-bb.com | E-mail: support@advantech-bb.com

QUICK START GUIDE



SEC510-2SFP-T

Industrial Ethernet Switches

✓ First Things First...

Before you begin, be sure you have the following:

- Ethernet Switch
- DIN rail mount bracket (installed)
- Wall mount bracket
- Required but not included:
Power supply

ADVANTECH

B+B
SMARTWORX

Fast and easy on the web: www.advantech-bb.com