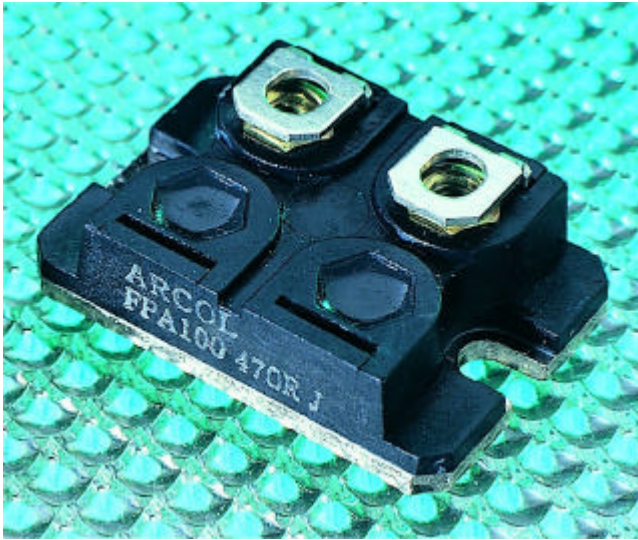


## THICK FILM POWER RESISTORS **FPA** SERIES



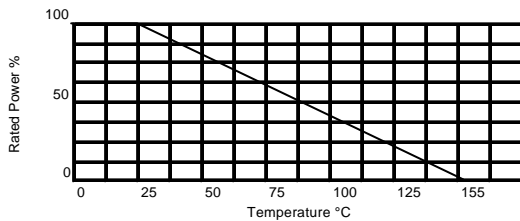
### FEATURES

- ISOTOP/SOT227 SEMICONDUCTOR STYLE PACKAGE
- 100 WATTS DISSIPATION IN A SMALL FOOTPRINT
- VERY LOW INDUCTANCE
- DIRECT HEATSINK MOUNTING

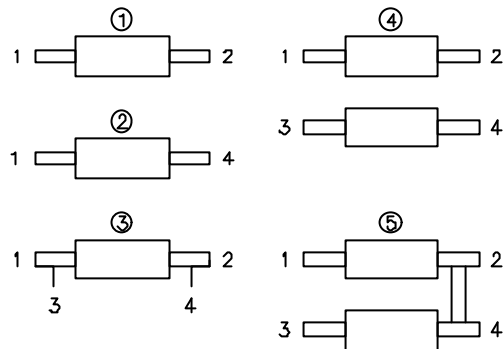
Due to a Non-Inductive design these elements are ideally suited for high frequency and pulse load applications. The FPA100 is available connected as 2 or 4 terminals, in parallel or series.

Main applications are Variable speed Drives, Power Supplies, Control Devices, Telecom, Robotics, Motor Controls, Dynamic Braking and other switching designs.

### DERATING CURVE



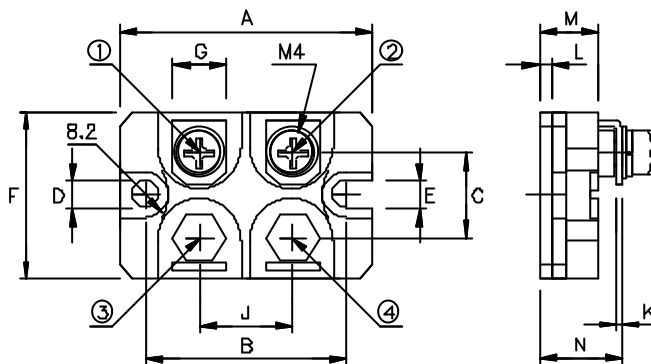
### VERSIONS AVAILABLE



### SPECIFICATIONS

Ohmic Value Range:	E24, contact ARCOL for values outside this series
TCR:	50ppm, 100ppm, 250ppm
Power rating at 25°C:	100W-200W
Max working voltage:	1kV rms
Resistance range:	2R to 20Meg
Voltage Proof:	Dielectric strength 4kV
Thermal resistance to cooling plate:	R<0.35°C/W
Partial discharge:	Up to ≥ 2kV rms / 80 pC
Capacitance/mass:	45pF
Working temp. range:	-55°C to +155°C
Max. torque for contacts (static):	1.3Nm
Max. torque for base plate (static):	1.5Nm

### DIMENSIONS



	DIMENSIONS (MM)					
	A	B	C	D	E	F
MIN	38.00	30.10	12.60	4.00	4.10	24.40
MAX	38.20	30.30	12.80	N/A	4.30	25.40
	G	J	K	L	M	N
MIN	7.80	14.9	0.75	1.95	8.9	11.8
MAX	8.20	15.1	0.85	2.05	9.1	12.2