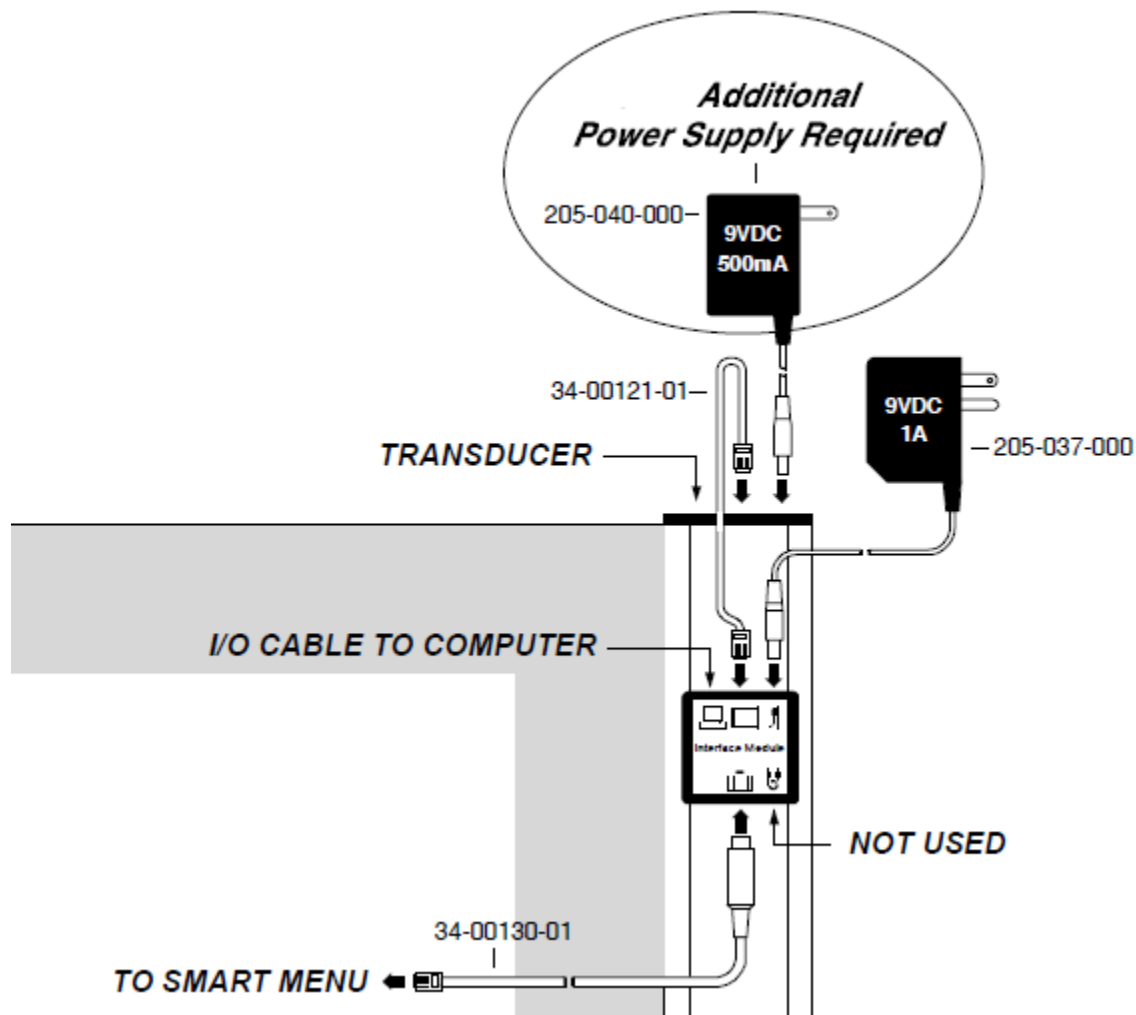


SMART MENU™ AND QUIKRULER™ INSTALLATION INSTRUCTIONS

Connecting Smart Menu to a Roll-Up II with Firmware Version J3.x or Later

(See label on back of tablet)



Connecting QuikRuler to a Roll-Up with Firmware Version J3.x or Later

(See label on back of tablet)

